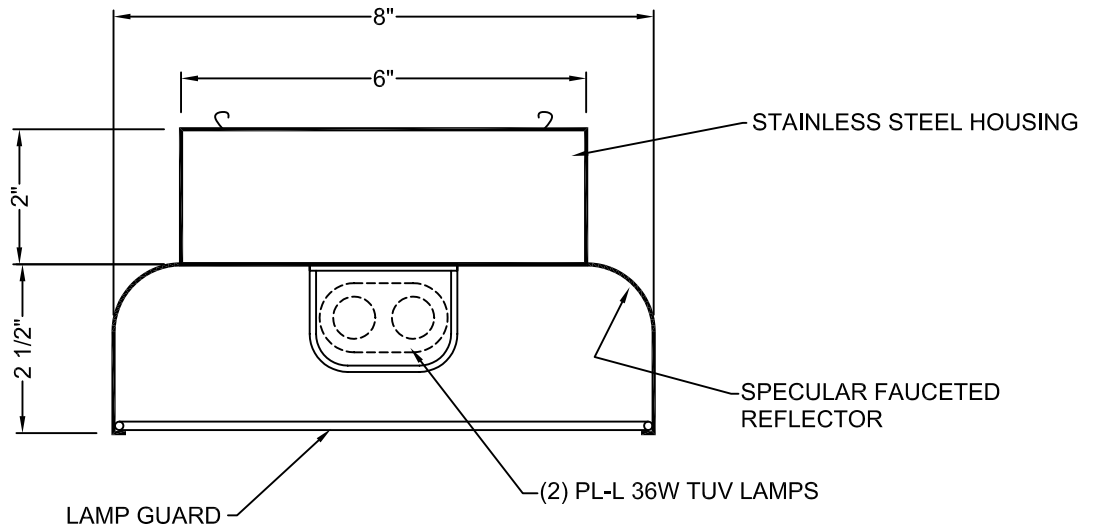


CATALOG NO. **BLU 236**

NOMINAL LENGTH: 36"
 LAMPING: (2) PL-L 36W TUV (120V)
 UV WATTS: 24UVW
 NOMINAL WATTS: 72W



5/6/05

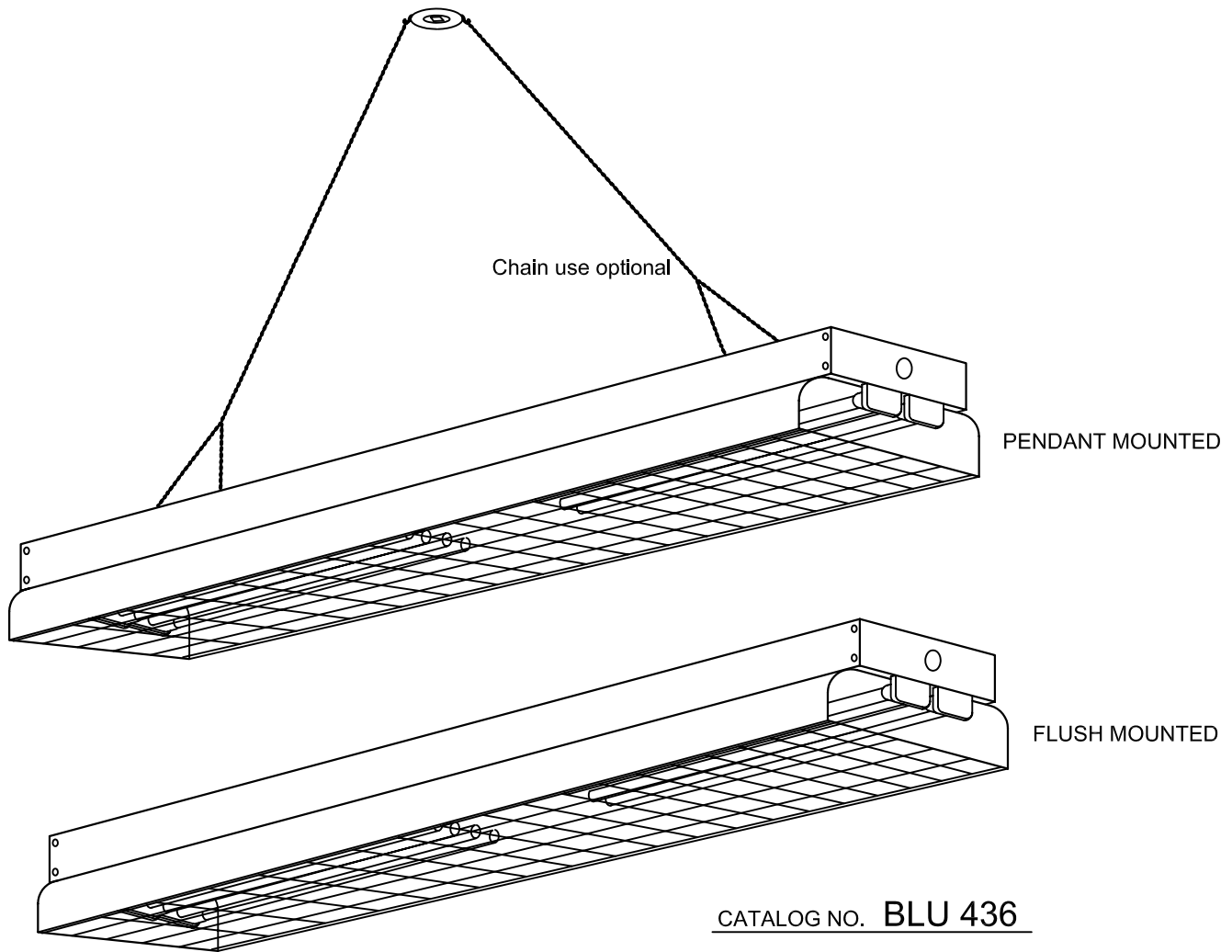
DATA SHEET BLU 236

LUMALIER
 UV AIR & SURFACE DISINFECTION

743 S. DUDLEY ST.
 www.LUMALIER.com

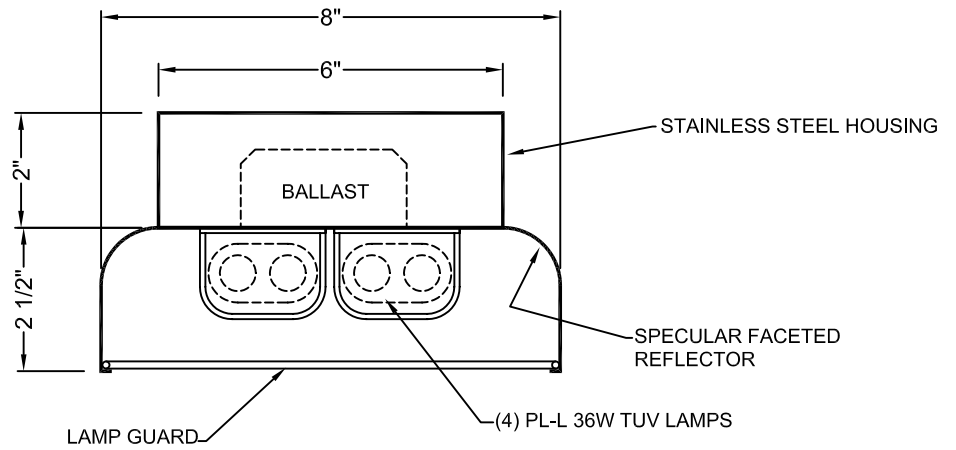
MEMPHIS, TN 38104
 EPA # 86538-TN-001

800-774-5799
 Fax: 901-946-2478



CATALOG NO. **BLU 436**

NOMINAL LENGTH: 36"
 LAMPING: (4) PL-L 36W TUV (120V thru 277V)
 UV WATTS: 48 UVW
 NOMINAL WATTS: 144 W



5/6/05

DATA SHEET
BLU 436

LUMALIER
 UV AIR & SURFACE DISINFECTION

743 S. DUDLEY ST.
 www.LUMALIER.com

MEMPHIS, TN 38104
 EPA # 86538-TN-001

800-774-5799
 Fax: 901-946-2478