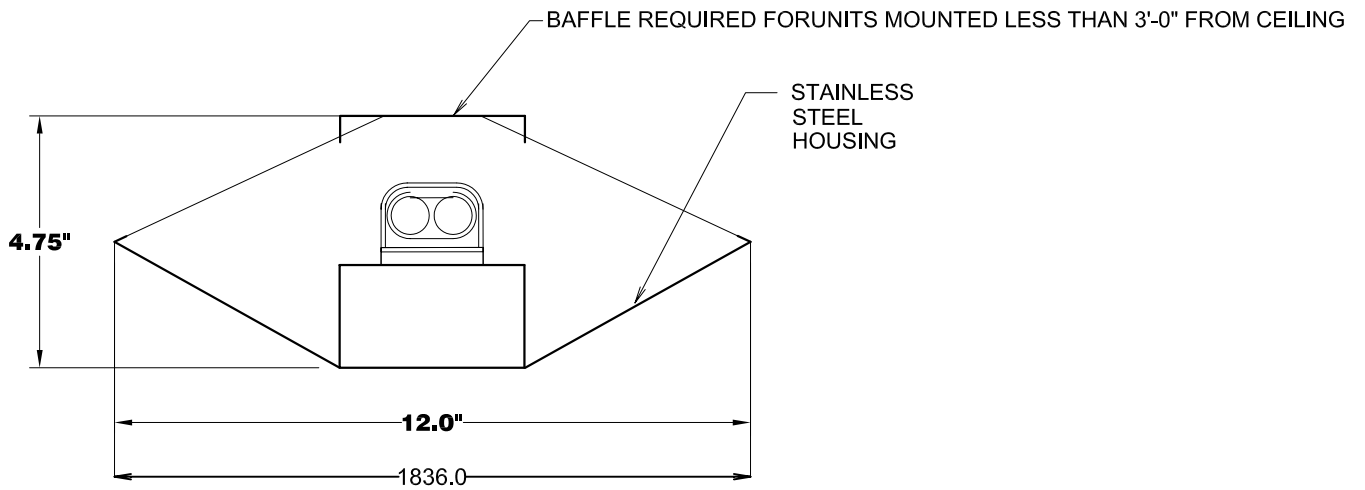


DIMENSIONS: 18" L. x 12" W. x 4.75" H.
 FINISHES: BRUSHED STAINLESS STEEL

ELECTRICAL REQUIREMENTS: 120V THRU 277V/50-60Hz/1.0A
 LAMP: (1) 36W TWIN TUBE UV
 UV WATTS: 12 UV WATTS
 NOMINAL WATTS: 36 WATTS

MINIMUM CEILING HEIGHT: 10'-0"
 MOUNT NO LOWER THAN 7' 0" ABOVE FINISHED FLOOR.



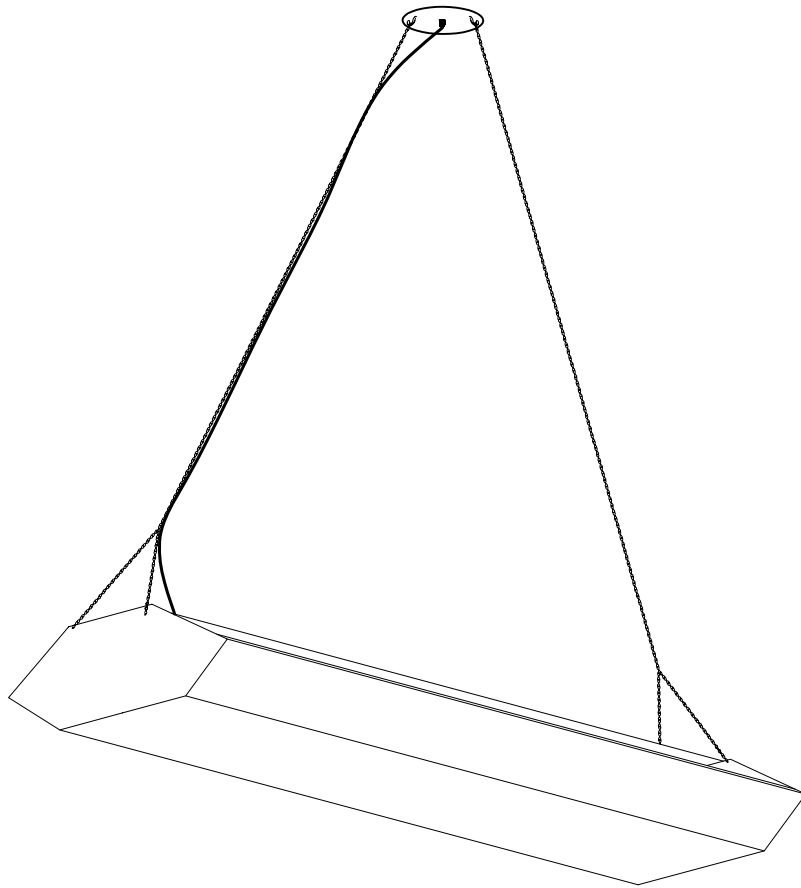
DATA SHEET
GC-136

LUMALIER
 UV AIR & SURFACE DISINFECTION

743 S. DUDLEY ST.
 www.LUMALIER.com

MEMPHIS, TN 38104
 EPA # 86538-TN-001

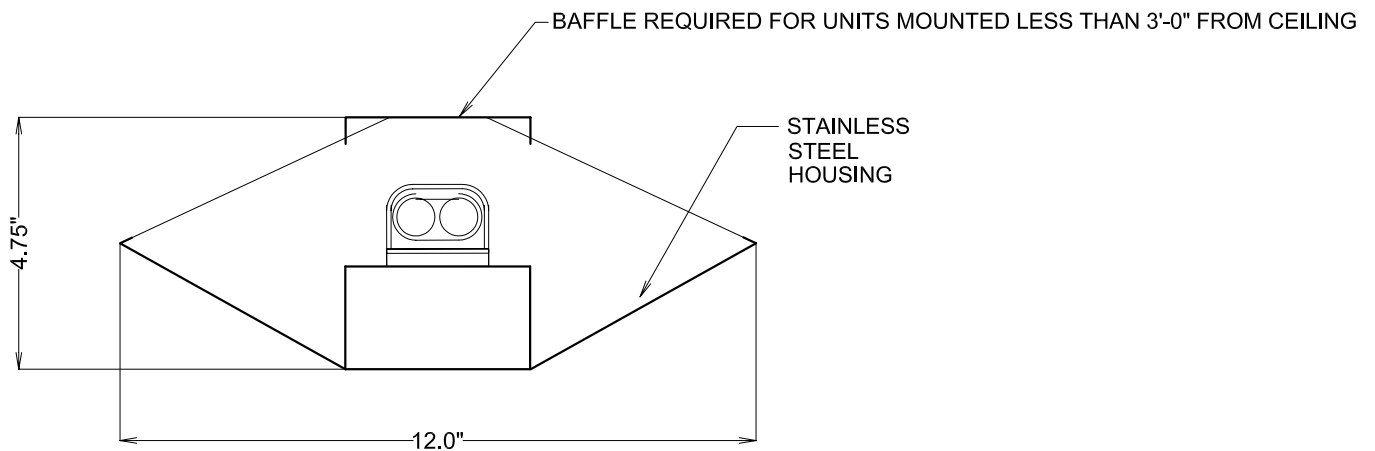
800-774-5799
 Fax: 901-946-2478



DIMENSIONS: 36" L. x 12" W. x 4.75" H.
FINISHES: BRUSHED STAINLESS STEEL

ELECTRICAL REQUIREMENTS: 120V THRU 277V/50-60Hz/1.0A
LAMP: (2) 36W TWIN TUBE UV
UV WATTS: 24 UV WATTS
NOMINAL WATTS: 72 WATTS

MINIMUM CEILING HEIGHT: 10'-0"
MOUNT NO LOWER THAN 7' 0" ABOVE FINISHED FLOOR.



DATA SHEET GC-236

LUMALIER
UV AIR & SURFACE DISINFECTION

743 S. DUDLEY ST.
www.LUMALIER.com

MEMPHIS, TN 38104
EPA # 86538-TN-001

800-774-5799
Fax: 901-946-2478