

REMOVEABLE LOUVER ASSEMBLY

DIMENSIONS: 15 1/2" W. x 7 3/4" EXT. x 9 1/2" H.

FINISHES: FLAT BLACK HOUSING & LOUVERS;  
BEIGE BOTTOM COVER

ELECTRICAL REQUIREMENTS: 120V THRU 277V/ 50-60Hz / 0.5A

LAMP: (2) 18W TWIN TUBE UV

UV WATTS: 11 UV WATTS

NOMINAL WATTS: 36 WATTS

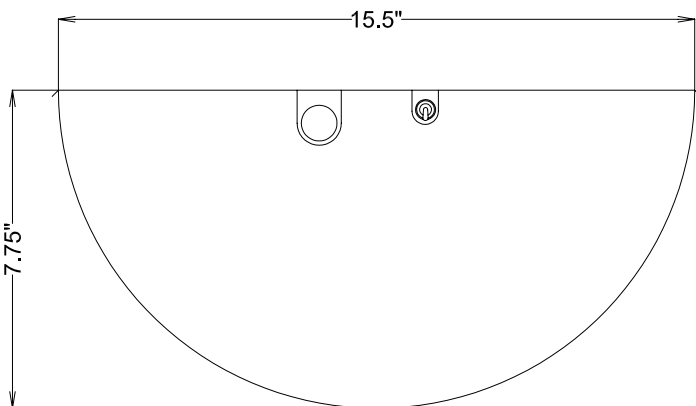
MINIMUM CEILING HEIGHT: 8' 0"

MOUNT NO LOWER THAN 7' 0" ABOVE FINISHED FLOOR.

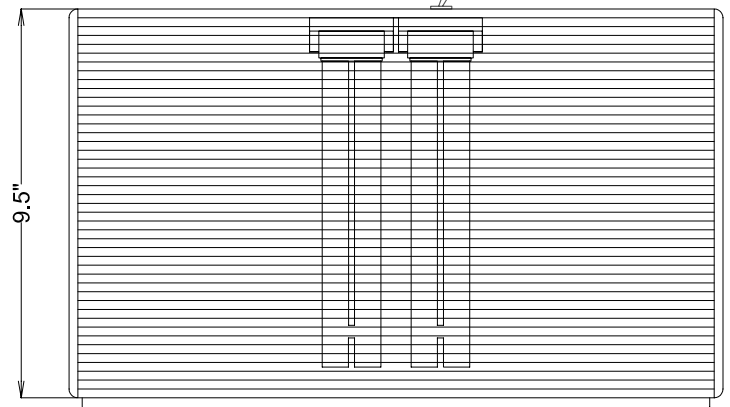
WALL MOUNTED & REMOVABLE LOUVERS  
FOR EASE OF MAINTENANCE.

9 1/2" OVERALL HEIGHT; ON/OFF TOGGLE SWITCH & INTEGRAL SAFETY SWITCH

ON/OFF TOGGLE SWITCH



TOP VIEW



FRONT VIEW

14Apr10

**DATA SHEET**  
**HW-218**

**LUMALIER**  
UV AIR & SURFACE DISINFECTION

743 S. DUDLEY ST.  
www.LUMALIER.com

MEMPHIS, TN 38104  
EPA #86538-TN-001

800-774-5799  
Fax: 901-946-2478