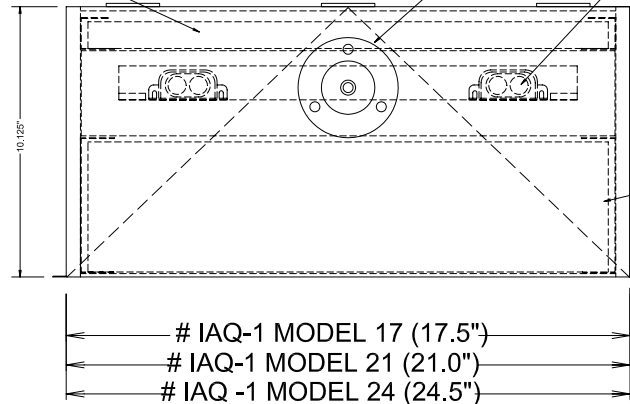


LUMALIER IAQ-1 AIR HANDLER UNITS

St. Gobain Quartzel Photocatalytic Felt

Viewports in door & UV Unit

Philips 36W UV lamps (2 each)



MERV 11, 5" Filter

IAQ-1 MODEL 17 (17.5")

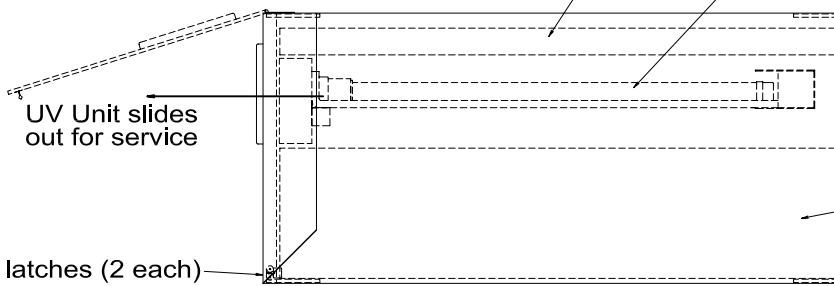
IAQ-1 MODEL 21 (21.0")

IAQ-1 MODEL 24 (24.5")

FRONT VIEW

St. Gobain Quartzel Photocatalytic Felt Filter

Philips 36W UV lamps (2 each)



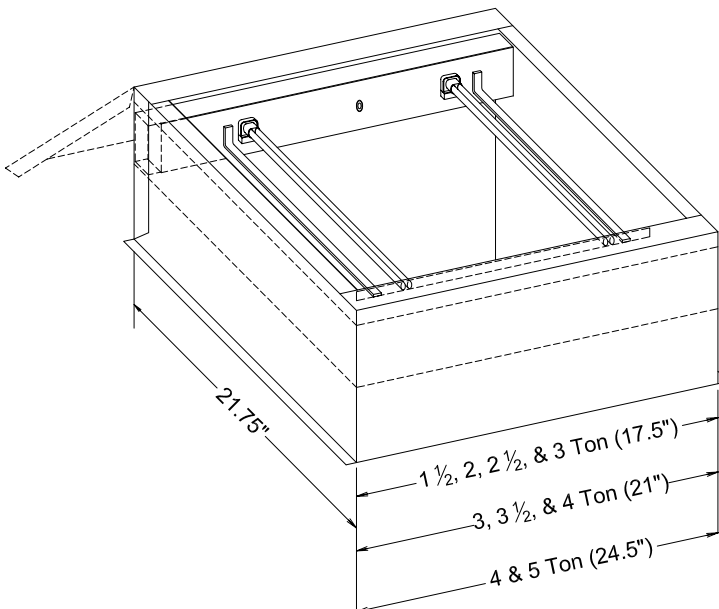
UV Unit slides out for service

MERV 11, 5" Filter

Door latches (2 each)

SIDE VIEW

ELECTRICAL REQUIREMENTS: 120V-250V / 0.56A / 50-60 Hz
WATTAGE: 72 NOMINAL WATTS / 24 UV WATTS



LUMALIER CAT. NO. IAQ-1 MODEL 17

WEIGHT LOAD RANGE TO 200 LBS./FILTER SIZE 15.875" X 19.625"

LUMALIER CAT. NO. IAQ-1 MODEL 21

WEIGHT LOAD RANGE TO 200 LBS./FILTER SIZE 19.25" X 19.625"

LUMALIER CAT. NO. IAQ-1 MODEL 24

WEIGHT LOAD RANGE TO 200 LBS./FILTER SIZE 22.875" X 19.625"

2/8/06(Rev.3/15/06)

DATA SHEET

LUMALIER

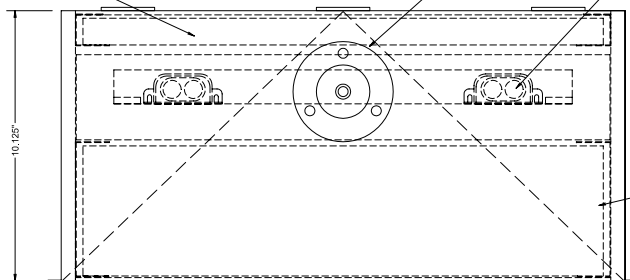
743 S. DUDLEY ST. MEMPHIS, TN 38104 800-774-5799
www.LUMALIER.com Fax: 901-946-2478

LUMALIER IAQ-1-F FURNACE UNITS

St. Gobain Quartzel Photocatalytic Felt

Viewports in door & UV Unit

Philips 36W UV lamps (2 each)



MERV 11, 5" Filter

IAQ-1-F MODEL 17 (17.5")

IAQ-1-F MODEL 21 (21.0")

IAQ-1-F MODEL 24 (24.5")

FRONT VIEW

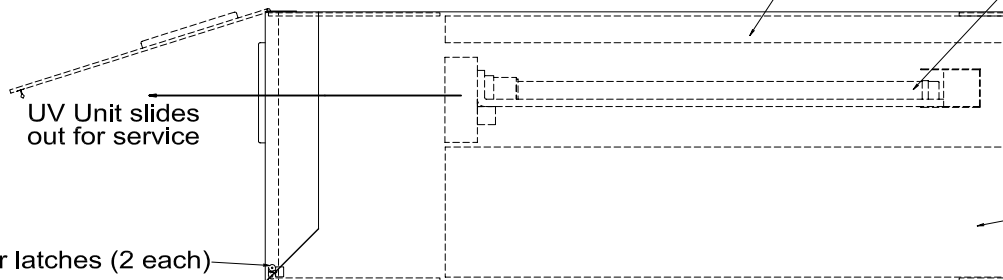
St. Gobain Quartzel Photocatalytic Felt Filter

Philips 36W UV lamps (2 each)

UV Unit slides out for service

MERV 11, 5" Filter

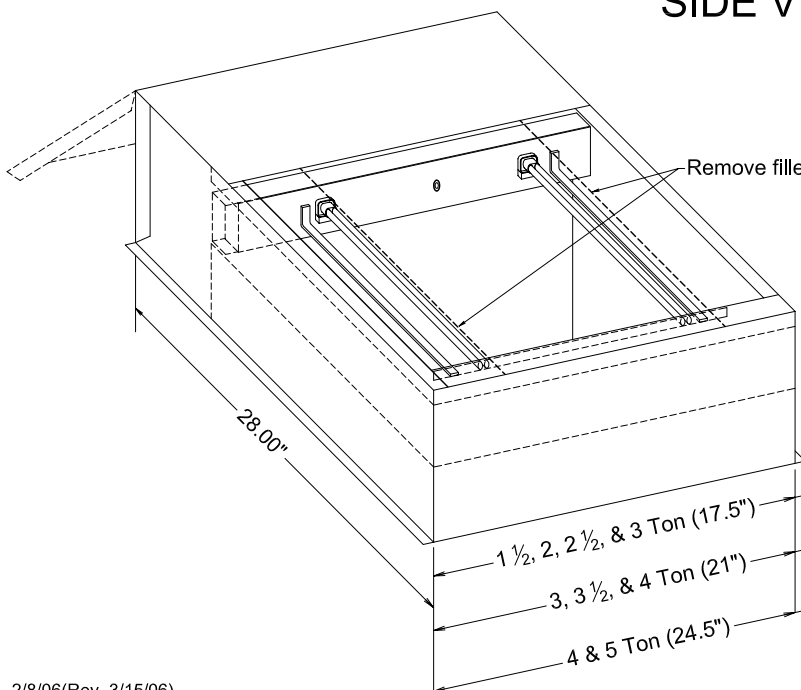
Door latches (2 each)



SIDE VIEW

ELECTRICAL REQUIREMENTS: 120V-250V / 0.56A / 50-60 Hz
WATTAGE: 72 NOMINAL WATTS / 24 UV WATTS

Remove filler panels for 17.5" wide furnace



LUMALIER CAT. NO. IAQ-1-F MODEL 17

WEIGHT LOAD RANGE TO 200 LBS./FILTER SIZE 15.875" X 19.625"

LUMALIER CAT. NO. IAQ-1-F MODEL 21

WEIGHT LOAD RANGE TO 200 LBS./FILTER SIZE 19.25" X 19.625"

LUMALIER CAT. NO. IAQ-1-F MODEL 24

WEIGHT LOAD RANGE TO 200 LBS./FILTER SIZE 22.875" X 19.625"

1 1/2, 2, 2 1/2, & 3 Ton (17.5")

3, 3 1/2, & 4 Ton (21")

4 & 5 Ton (24.5")

2/8/06(Rev. 3/15/06)

DATA SHEET

LUMALIER

743 S. DUDLEY ST. MEMPHIS, TN 38104 800-774-5799
www.LUMALIER.com Fax: 901-946-2478