

DIMENSIONS: 20" W. x 15" H.

FINISHES: FLAT BLACK LOUVERS; BEIGE BOTTOM COVERS

ELECTRICAL REQUIREMENTS: 120V THRU 277V/50-60Hz/1.0A

LAMP: (4) 18W TWIN TUBE UV

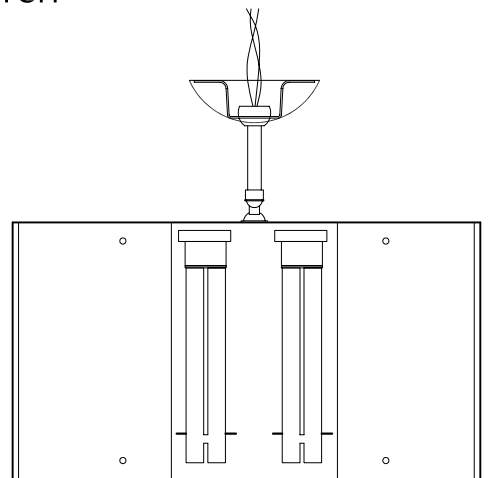
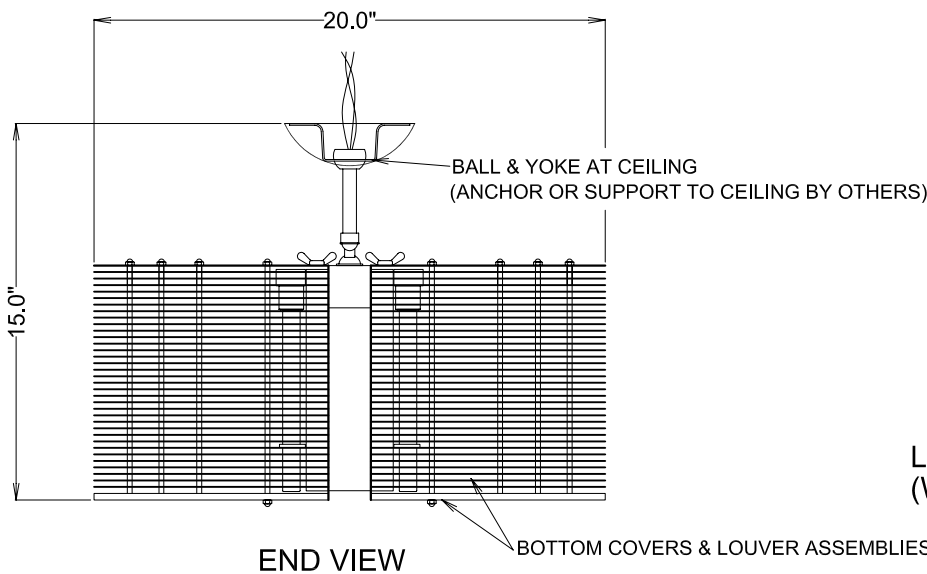
UV WATTS: 22 UV WATTS

NOMINAL WATTS: 72 WATTS

MINIMUM CEILING HEIGHT: 8'-3"

MOUNT NO LOWER THAN 7' 0" ABOVE FINISHED FLOOR.

15" OVERALL HEIGHT STANDARD. LONGER STEM LENGTHS AVAILABLE  
ON/OFF TOGGLE SWITCH & INTEGRAL SAFETY SWITCH



LAMP ARRANGEMENT - FRONT VIEW  
(WITH LOUVER ASSEMBLY REMOVED)

**DATA SHEET  
PM-418**

**LUMALIER**  
UV AIR & SURFACE DISINFECTION

743 S. DUDLEY ST.  
www.LUMALIER.com

MEMPHIS, TN 38104  
EPA # 86538-TN-001

800-774-5799  
Fax: 901-946-2478