

DIMENSIONS: 18 1/4" L. x 8 1/2" EXT. x 10" H.

FINISHES: BRUSHED STAINLESS STEEL HOUSING &
FLAT BLACK LOUVERS

ELECTRICAL REQUIREMENTS: 120V THRU 277V/ 50-60Hz / 0.5A

LAMP: (4) 18W TWIN TUBE UV

UV WATTS: 22 UV WATTS

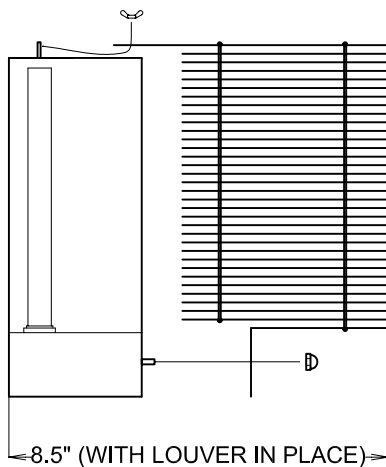
NOMINAL WATTS: 72 WATTS

MINIMUM CEILING HEIGHT: 8' 0"

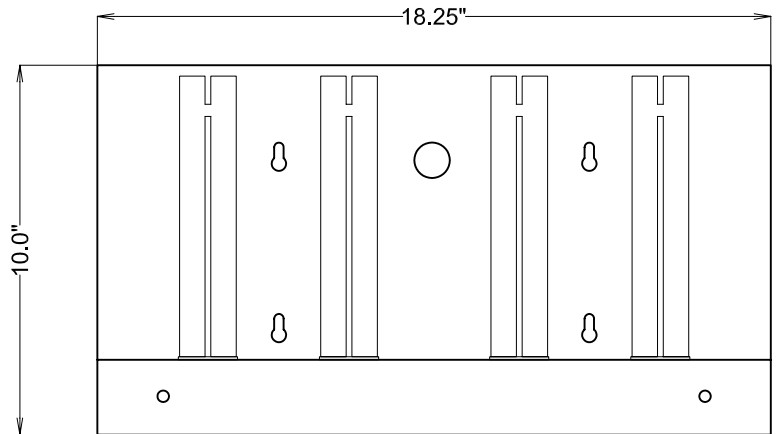
MOUNT NO LOWER THAN 7' 0" ABOVE FINISHED FLOOR.

WALL MOUNTED & REMOVEABLE LOUVER ASSEMBLY
FOR EASE OF MAINTENANCE.

ON/OFF TOGGLE SWITCH & INTEGRAL SAFETY SWITCH



END VIEW



LAMP ARRANGEMENT - FRONT VIEW

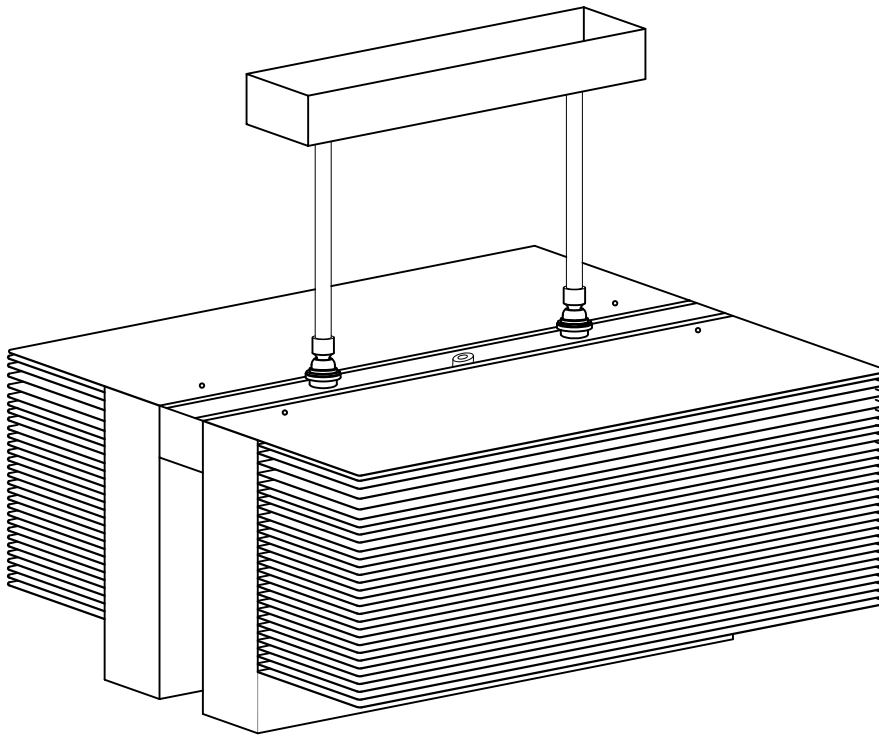
**DATA SHEET
VM-418**

LUMALIER
UV AIR & SURFACE DISINFECTION

743 S. DUDLEY ST.
www.LUMALIER.com

MEMPHIS, TN 38104
EPA # 86538-TN-001

800-774-5799
Fax: 901-946-2478



DIMENSIONS: 18 1/4" L. x 18 1/2" W. x 19" H.

FINISHES: BRUSHED STAINLESS STEEL HOUSING &
FLAT BLACK LOUVERS

ELECTRICAL REQUIREMENTS: 120V-277V/ 50-60Hz / 0.5A

LAMP: (8) 18W TWIN TUBE UV

UV WATTS: 44 UV WATTS

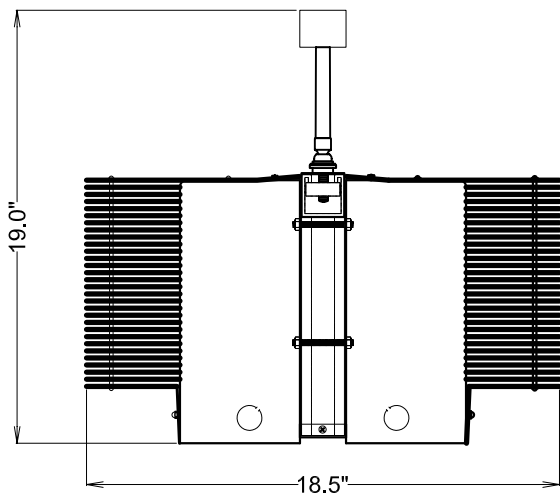
NOMINAL WATTS: 144 WATTS

MINIMUM CEILING HEIGHT: 8' 7"

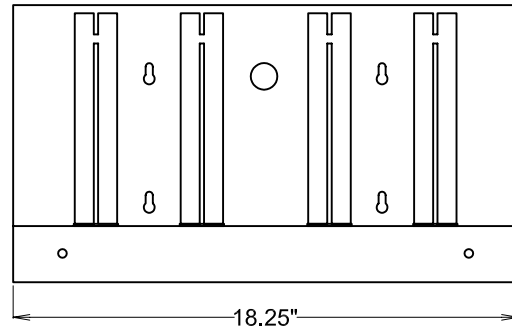
MOUNT NO LOWER THAN 7' 0" ABOVE FINISHED FLOOR.

PENDANT MOUNT & REMOVEABLE LOUVER ASSEMBLIES
FOR EASE OF MAINTENANCE.

19" OVERALL HEIGHT STANDARD; LONGER STEM LENGTHS AVAILABLE



END VIEW



LAMP ARRANGEMENT - FRONT VIEW

**DATA SHEET
VM-818**

LUMALIER
UV AIR & SURFACE DISINFECTION

743 S. DUDLEY ST.
www.LUMALIER.com

MEMPHIS, TN 38104
EPA # 86538-TN-001

800-774-5799
Fax: 901-946-2478