

DIMENSIONS: 36 1/4" L. x 8 1/2" EXT. x 4 3/4" H.

FINISHES: BRUSHED STAINLESS STEEL HOUSING &
FLAT BLACK LOUVERS

ELECTRICAL REQUIREMENTS: 120V THRU 277V/ 50-60Hz / 0.5A

LAMP: (2) 36W TWIN TUBE UV

UV WATTS: 24 UV WATTS

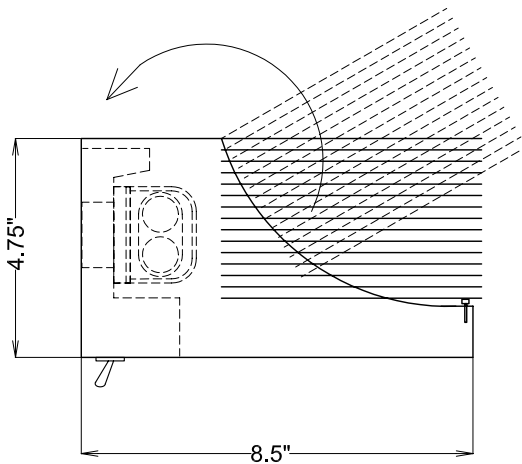
NOMINAL WATTS: 72 WATTS

MINIMUM CEILING HEIGHT: 7' 9"

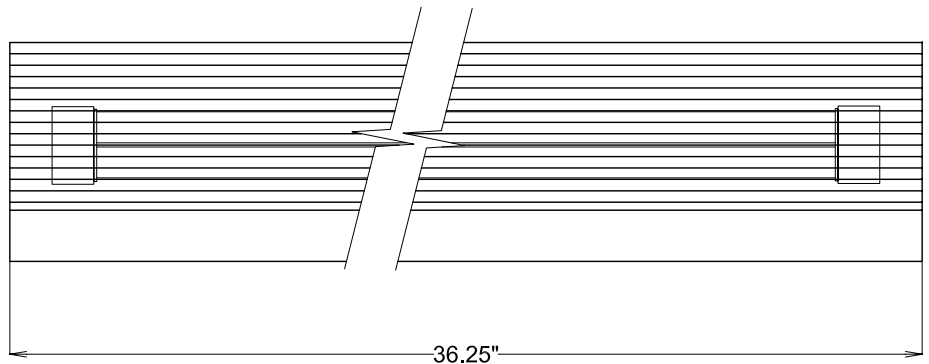
MOUNT NO LOWER THAN 7' 0" ABOVE FINISHED FLOOR.

WALL MOUNTED & HINGED LOUVER ASSEMBLY
FOR EASE OF MAINTENANCE.

4 3/4" HEIGHT; ON/OFF TOGGLE SWITCH & INTEGRAL SAFETY SWITCH



END VIEW



FRONT VIEW

DATA SHEET
WM-236

LUMALIER
UV AIR & SURFACE DISINFECTION

743 S. DUDLEY ST.
www.LUMALIER.com

MEMPHIS, TN 38104
EPA # 86538-TN-001

800-774-5799
Fax: 901-946-2478