

ADPL Series

IN AHU AND IN DUCT UVC FIXTURES

Our ADPL Series UVC Fixtures are engineered for residential and light commercial applications in split system air handlers (AHUs). These In-AHU and In-Duct UVC fixtures provide solutions for disinfection throughout homes and can also be used in some light commercial applications. Benefits include:

- Reduces odors
- Reduces HVAC maintenance
- Reduces pathogens that cause sickness and disease
- Improves occupant performance
- Increases energy savings

Models

The ADPL is available in three lamp sizes (35W, 60W, 95W), and single and double lamp configurations, to provide options for various duct sizes. All lamps are non-proprietary Philips lamps that are chill corrected down to 40 degrees Fahrenheit.



Works invisibly within existing HVAC systems to create a safe, comfortable, germ-free indoor environment.



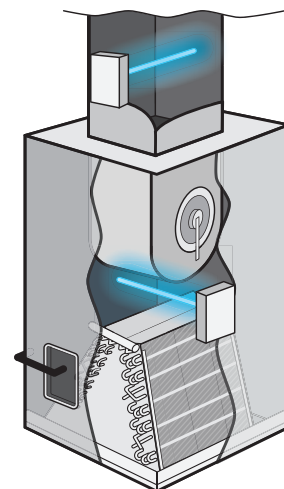
Installed at the coil plenum and designed to achieve disinfection of the cooling coil surfaces.



Works 24/7 to keep air free and clear of airborne contaminants.



Neutralizes and eliminates the infectious airborne pathogens that cause respiratory illness and disease.



ADPL Series

IN AHU AND IN DUCT UVC FIXTURES

ADPL UV Air Fixture Product Specifications

(Single and Dual Lamp Models)

Standard Specifications

Lamp Specs	PL-L 35W, 60W, 95W TUV (non-proprietary)
Wavelength	254 Nanometers*
Expected Lamp/ Bulb Rated Life ¹	18 months
Lamp Socket	Single Ended, 4 Pin, 2G11
Input Voltage	Self Regulated Electronic UV Ballast 120V to 250V
Electrical Requirement	See Ordering Guide
Housing Finish	Aluminum
Weight	ADPL 1 Light - 8 lbs. ADPL 2 Light - 12 lbs.

Certifications:



ASHRAE	meets ASHRAE TC 2.09
EPA ²	EST. NO. 91347-TN-001
ETL	CDR100230620ATL-001A

Warranty Lamps/2 years; Parts/5 years

*Lumalier ADPL Fixtures don't produce ozone. UVC technology is endorsed by the EPA, ASHRAE, FEMA, the CDC, and many other health organizations.

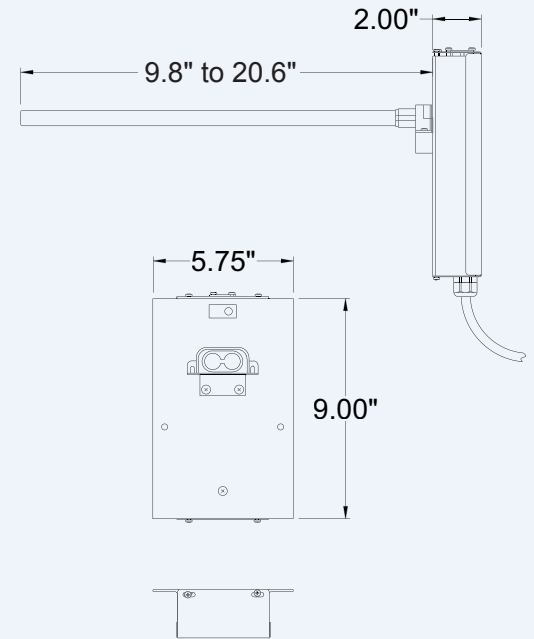
¹With 80% utilization

²The manufacturer is registered with the US EPA. Clinical lab testing has been performed in independent labs.

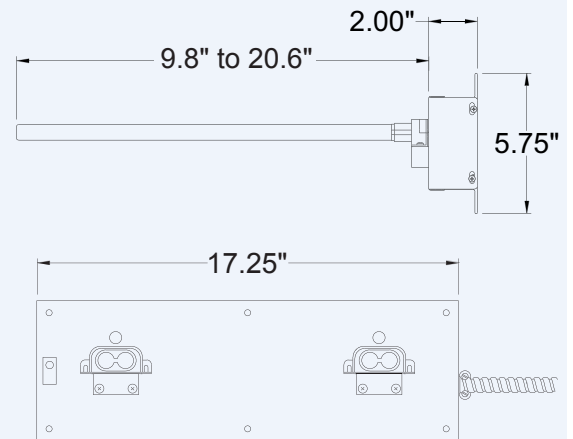
In AHU Fixture Series Ordering Guide

Model#	Description
ADPL-135	One 35W Lamp 0.3A @ 120V, 0.15A @ 240V
ADPL-235	Two 35W Lamps 0.60A @ 120V, 0.30A @ 240V
ADPL-160	One 60W Lamp 0.50A @ 120V, 0.25A @ 240V
ADPL-260	Two 60W Lamps 1.0A @ 120V, 0.30A @ 240V
ADPL-195	One 95W Lamp 0.80A @ 120V, 0.40A @ 240V
ADPL-295	Two 95W Lamps 1.6A @ 120V, 0.80A @ 240V
Daisy Chain Option	
ADPL-135-DC	One 35W Lamp 0.30A @ 120V, 0.15A @ 240V
ADPL-235-DC	Two 35W Lamps 0.60A @ 120V, 0.30A @ 240V
ADPL-160-DC	One 60W Lamp 0.50A @ 120V, 0.25A @ 240V
ADPL-260-DC	Two 60W Lamps 1.0A @ 120V, 0.30A @ 240V
ADPL-195-DC	One 95W Lamp 0.80A @ 120V, 0.40A @ 240V
ADPL-295-DC	Two 95W Lamps 1.6A @ 120V, 0.80A @ 240V

ADPL-135/160/195



ADPL-235/260/295



Due to continuing research, Lumalier reserves the right to change specifications without notice.