



## BLU Series

### SURFACE UVC FIXTURES

The BLU series UVC fixtures are designed to be permanently installed and used for daily UVC application to surfaces when spaces are unoccupied. Benefits include:

- Designed for ceiling mount into unoccupied open areas for UVC application used on a regular basis as part of procedures
- Ideal for high-risk areas in need of multiple UVC applications throughout the day, such as operating rooms, laboratories, food processing areas, and other large, open spaces within buildings
- Constructed of stainless steel and aluminum
- 120 through 277 V AC 50/60 Hz operation

Solid state electronic ballast for low energy use, reliability, and operational safety.



9000 hour lamp life.



Ceiling mounted.



Non-proprietary PL-L lamps have not more than 4.5 mg mercury content and produce no ozone.

#### Models

There are four BLU models. The BLU-260 uses 2 Philips PL-L UV 60 W lamps, and the BLU-460 uses 4 Philips PL-L UV 60 W lamps. The BLU-295 uses 2 Philips PL-L UV 95 W lamps, and the BLU-495 uses 4 Philips PL-L UV 95 W lamps.

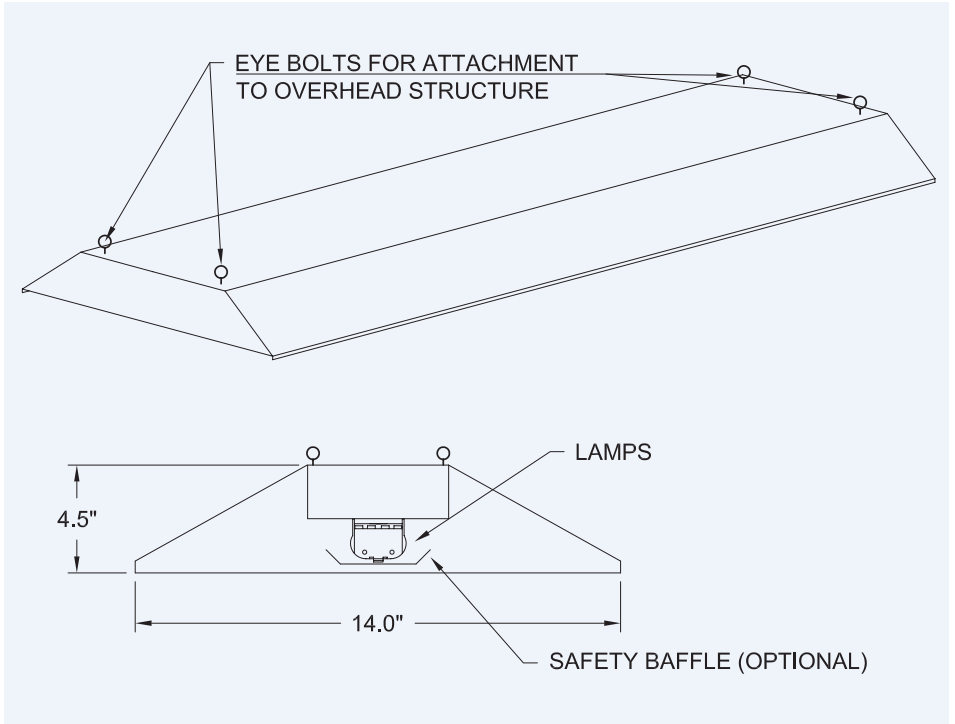
# BLU Series

## SURFACE UVC FIXTURES

### BLU Product Specifications

#### Standard Specifications

<b>Lamp Specs</b>	PL-L 60W TUV, PL-L 95W TUV
<b>Wavelength</b>	254 Nanometers*
<b>Expected Lamp/ Bulb Rated Life<sup>1</sup></b>	18 months
<b>Input Voltage</b>	Self Regulated Electronic UV Ballast 120V
<b>Electrical Requirement</b>	See Ordering Guide
<b>Housing Finish</b>	Aluminum
<b>Certifications:</b>	
ASHRAE	meets ASHRAE TC 2.09
EPA	EST. NO. 91347-TN-002
ETL	CDR100230620ATL-001A
<b>Warranty</b>	Lamps/2 years; Parts/5 years



<sup>1</sup>With 80% utilization

Due to continuing research, Lumalier reserves the right to change specifications without notice.

#### Ordering Guide

Model#	Nominal Wattage	Description	L	W	H	Electrical Requirements
BLU-260	60W (2)	Two 60W down-facing lamps, recess-mounted with open-grid cover, ceiling mount into unoccupied open areas.	36"	14"	4.5"	120V/50-60Hz/1.3A
BLU-460	60W (4)	Four 60W down-facing lamps, recess-mounted with open-grid cover, ceiling mount into unoccupied open areas.	48"	14"	4.5"	120V/50-60Hz/1.3A
BLU-295	95W (2)	Two 95W down-facing lamps, recess-mounted with open-grid cover, ceiling mount into unoccupied open areas.	36"	14"	4.5"	120V/50-60Hz/1.3A
BLU-495	95W (4)	Four 95W down-facing lamps, recess-mounted with open-grid cover, ceiling mount into unoccupied open areas.	48"	14"	4.5"	120V/50-60Hz/1.3A

MINIMUM CEILING HEIGHT: 10'-0" & CAN BE FLUSH-MOUNTED IN A 2 x 4 SUSPENDED CEILING