

CDU Upper Air

UVC FIXTURES

Lumalier's CDU upper-air UVC units combine dynamic and passive UVC disinfection and are engineered for use in areas where there is high risk of pathogen spread. The CDU is certified to meet UL8802 standards for occupant safety. Optional air destratification model available.*

Benefits include:

- Disinfects air continuously in occupied spaces.
- Provides 360 degree coverage within the space.
- Blends in with the ceiling - aesthetically designed.

Directional UVC

The CDU creates a zone of germicidal energy near the ceiling to deactivate all airborne pathogens through the simple process of convection.

Applications

- Lobbies
- Waiting areas
- Payment/help counters
- Classrooms
- Offices

*Patent Pending

Combines dynamic and passive UV-C disinfection for high-risk areas.



Designed to install into a suspended ceiling grid T-bar system, flush mounted to ceiling (hardwired), or cable-suspended.



Works 24/7 to keep air free and clear of airborne contaminants.




Neutralizes and eliminates the infectious airborne pathogens that cause respiratory illness and disease.

Lumalier CDU Upper Air UVC Fixtures don't produce ozone. UVC technology is endorsed by the EPA, ASHRAE, FEMA, the CDC, and many other health organizations.

CDU Upper Air

UVC FIXTURES

Standard Specifications

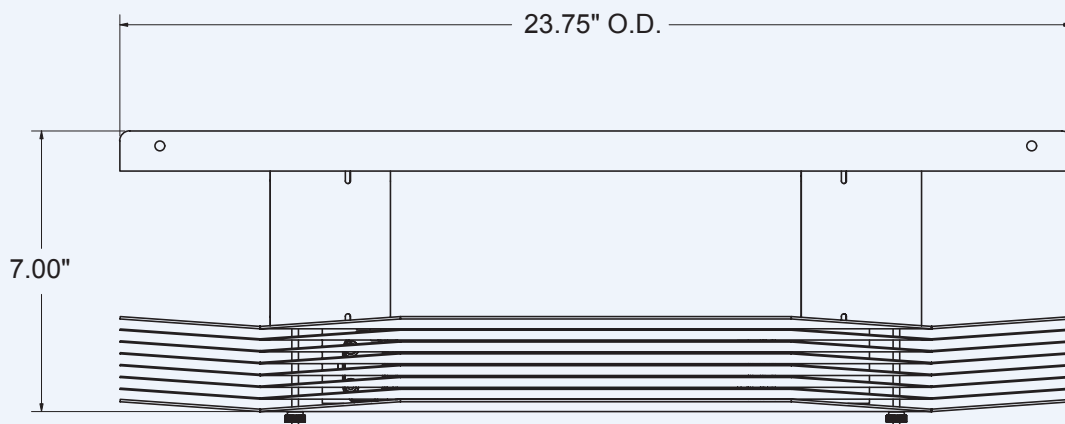
| | | | |
|--|---|------------------|------------------------------|
| Lamp Specs | 18W TUV (non-proprietary) | | |
| Wavelength | 254 Nanometers | | |
| Expected Lamp/Bulb Rated Life ¹ | 18 months | | |
| Lamp Socket | Single Ended, 4 Pin, 2G11 | | |
| Lamp Qty. | 4 x 18W | | |
| Input Voltage | Self Regulating Ballast from 120V to 277V | | |
| Coverage | 800-1,200 sq. ft | | |
| Weight | 20 lbs. | | |
| Housing Finish | Stainless or Powder Coated Black or White (Contact Us for Additional Custom Color Options) | | |
| Electrical Requirement | .58A @ 120V to 0.26A @ 277V, 50-60Hz | | |
| Certifications: |  | ASHRAE | meets ASHRAE TC 2.09 |
| | | EPA ² | EST. NO. 91347-TN-001 |
| | | ETL | CDR100230620ATL-001A |
| | | UL | 8802 Compliant |
| | | Warranty | Lamps/2 years; Parts/5 years |

Ordering Guide

| Model# | Description |
|--------|--|
| CDU | CDU drop-ceiling, 360 degree light field, ceiling height 8' 6" + |

¹With 80% utilization

²The manufacturer is registered with the US EPA. Clinical lab testing has been performed in independent labs.



Due to continuing research, Lumalier reserves the right to change specifications without notice.