

EDU (Emergency Disinfection) Series

SURFACE DISINFECTION UVC FIXTURES

Portable surface disinfection units are ideal for facilities that need emergency response UVC disinfection fixtures.

The EDU-435 and EDU-495 UVC units are high-output, mobile, surface and air disinfection portable fixtures for unoccupied spaces. These units can be used for emergency response for discharge events or for regular cleanings. Benefits include:

- Offers a solution for difficult-to-disinfect surfaces, such as keyboards, monitors, lab and cafeteria equipment
- Disinfects contaminated surfaces that can spread sickness
- Provides temporary disinfection of floors, desks, and table surfaces after any “discharge event”

Models

The EDU series models include the EDU-435, which has four 35W 9” lamps, and the EDU-495 (shown above), which has four 95W 22” lamps. Both models are grid-protected fixtures with handles and provide 360° portable disinfection for unoccupied spaces.

Units can be moved from room to room for quick disinfection.



Provides a solution for emergency response for discharge events or for regular cleanings.



Includes delayed start-timer and adjustable disinfection timer.




Enables everyday customers to achieve 99.9% cleaner surfaces in a matter of minutes.

EDU (Emergency Disinfection) Series

SURFACE DISINFECTION UVC FIXTURES

Standard Specifications

Lamp Specs	PL-L 35W, 95W TUV (non-proprietary)
Wavelength	254 Nanometers
Expected Lamp/ Bulb Rated Life¹	9000 hours
Lamp Socket	Single Ended, 4 Pin, 2G11
Input Voltage	Self Regulated Electronic UV Ballast 120V
Standard	Touch-screen controls, motion sensors, delay timer, and run timer
Weight	EDU-435 - 16lbs EDU-495 - 18lbs
Housing Finish	Stainless Steel
Electrical Requirement	1.3A @ 120V to 0.56A @ 240V, 50-60Hz
Certifications:	
	
ASHRAE	meets ASHRAE TC 2.09
EPA ²	EST. NO. 91347-TN-001
ETL	CDR100230620ATL-001A
Warranty	Lamps/2 years; Parts/5 years

¹Philips Signify lamp warranty is 9,000 hours.

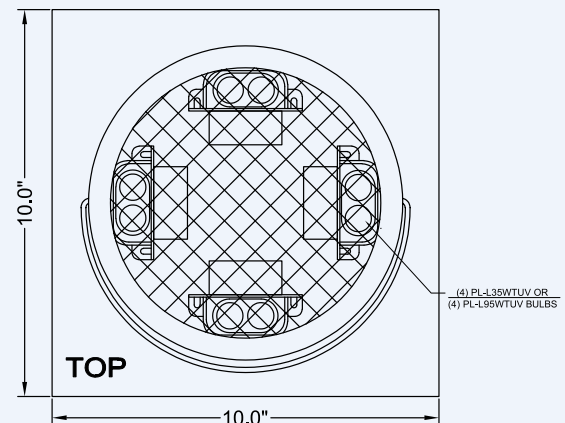
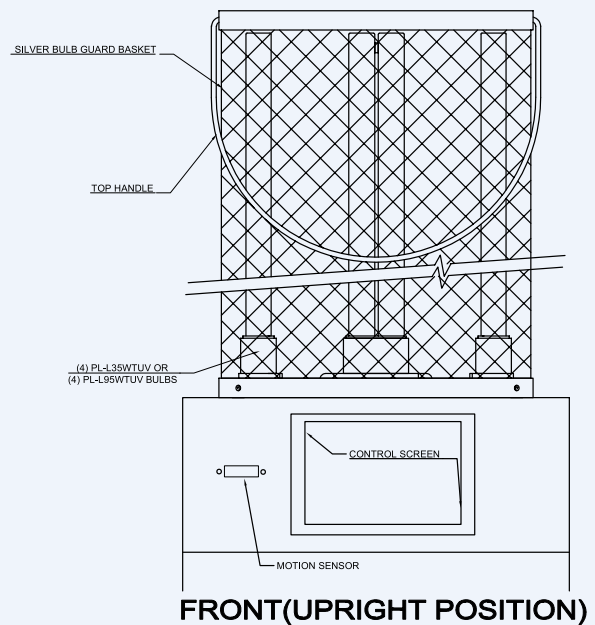
²The manufacturer is registered with the US EPA. Clinical lab testing has been performed in independent labs.

Ordering Guide

Model#	Description
EDU-435	Four 35W 9" lamps, 10"W x 10"D x 15"H, grid-protected fixture, with handle
EDU-495	Four 95W 22" lamps, 10"W x 10"D x 32"H, grid-protected fixture, with handle

EDU-435

See ordering details for additional models.



Common name	number of seconds to achieve 4-log (99.99%) reduction @ 100 sq. ft.		number of seconds to achieve 4-log (99.99%) reduction @ 400 sq. ft.		number of seconds to achieve 4-log (99.99%) reduction @ 900 sq. ft.	
	EDU-435	EDU-495	EDU-435	EDU-495	EDU-435	EDU-495
Strep	9	3	32	12	77	29
Pneumonia	12	5	45	17	107	42
Tuberculosis / TB	14	6	54	20	130	50
Coronavirus (MER, SARS, COVID-19)	18	7	68	25	163	63
Flu (A&B)	55	20	220	78	518	199
Staph / MRSA	58	21	230	82	546	210
Measles	62	23	245	89	582	225
Chicken Pox	62	23	245	89	582	226
Meningitis (Viral)	185	70	730	263	1730	665
Meningitis (Fungal)	800	289	3100	1130	7440	2860
C.diff	850	309	3400	1210	8000	3060
Meningitis (Bacterial)	1350	486	5200	1900	12500	4800

Due to continuing research, Lumalier reserves the right to change specifications without notice.