



FA Series

FORCED AIR UVC DISINFECTION

The FA (Forced Air) series provides continuous air disinfection within a space when traditional upper-air or in-duct options are not available such as: Elevators, bunk houses, work stations, waiting rooms, interview rooms, conference rooms, and bathrooms. Benefits include:

- Completely enclosed fixture for safety of the room occupants.
- No height restriction.
- Configured for continual air movement and disinfection.

Models

Models range from 300 sq. ft. - 1,000 s.f. disinfection.

Completely enclosed fixture for safety of the room occupants.



Neutralizes and eliminates the infectious airborne pathogens that cause respiratory illness and disease.



Work 24/7 to keep air and units free and clear of airborne contaminants.



Designed to disinfect air at eye level.

FA Series

FORCED AIR UVC DISINFECTION

FA Product Specifications

Standard Specifications

Lamp Specs	PL-L 36W, 55W, 60W, 95W TUV (non proprietary)
Wavelength	254 Nanometers*
Expected Lamp/Bulb Rated Life ¹	18 months
Lamp Socket	Single Ended, 4 Pin, 2G11
Input Voltage	Self Regulated Electronic UV Ballast 120V
Electrical Requirement	1.3A @ 120V
Housing Finish	Aluminum

Certifications:

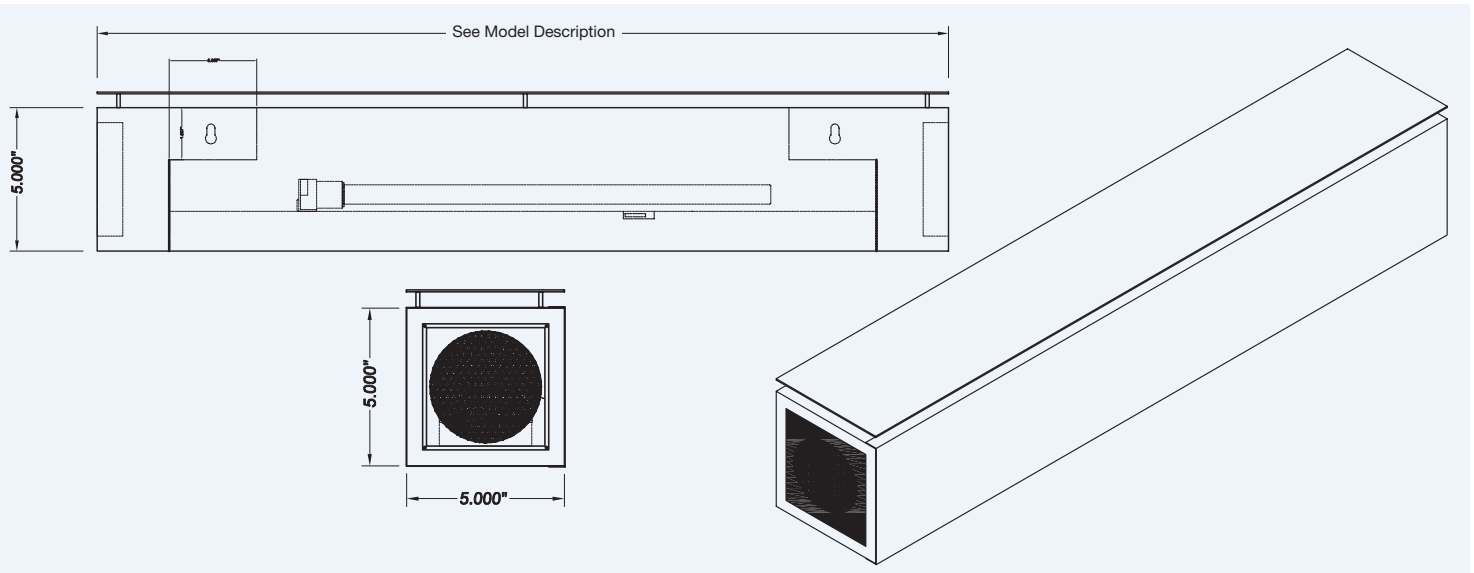


ASHRAE	meets ASHRAE TC 2.09
EPA ²	EST. NO. 91347-TN-001
ETL	CDR100230620ATL-001A

¹With 80% utilization
²The manufacturer is registered with the US EPA. Clinical lab testing has been performed in independent labs.

Warranty

Lamps/2 years; Parts/5 years



Due to continuing research, Lumalier reserves the right to change specifications without notice.

Ordering Guide

Model#	Description
FA-136	Enclosed Forced-air (one 100 cfm fan) PCO, one 36W lamp, 5" x 5" x 24", 300 sq. ft. disinfection, no height restriction.
FA-155	Enclosed forced-air (two 100 cfm fans) PCO, one 55W lamp, 5" x 5" x 36", 450 sq. ft. disinfection, no height restriction.
FA-160	Enclosed Forced-air (one 100 cfm fan) PCO, one 60W lamp, 5" x 5" x 24", 500 sq. ft. disinfection, no height restriction.
FA-195	Enclosed forced-air (two 100 cfm fans) PCO, one 95W lamp, 5" x 5" x 36", 800 sq. ft. disinfection, no height restriction.
FA-260	Enclosed forced-air (two 100 cfm fans) PCO, two 60W lamps, 5" x 5" x 42", 1000 sq. ft. disinfection, no height restriction.