



# GL Series

## UPPER AIR UVC FIXTURES

Upper-air UVC fixtures are engineered to provide very targeted airborne pathogen reduction in high-risk areas with ceilings that are 12' or higher.

The open design of the GL series allows for a wide field of UVGI above the heads of occupants. This allows these units to be highly effective at inactivation of pathogens in the upper-air space. Benefits include:

- Accommodates spaces with high ceilings where wall mounting is preferred
- Provides targeted airborne pathogen reduction
- Offers a solution for flexible space uses, as the units can be permanently or temporarily installed
- Does not produce ozone or other harmful volatile organic compounds (VOC)

### Models

The GL series has a range of models to accommodate different effective coverage areas. The different models use either 1, 2 or 4 Philips PL-L UV lamps.

Works in high-risk areas with higher pathogen concentration such as athletic facilities, dining areas, retail businesses, and lobbies.



Provides targeted pathogen reduction in spaces with high ceilings.



Creates repeated air disinfection within defined spaces, through natural convection-currents.



Neutralizes and eliminates the infectious airborne pathogens that cause respiratory illness and disease.

# GL Series

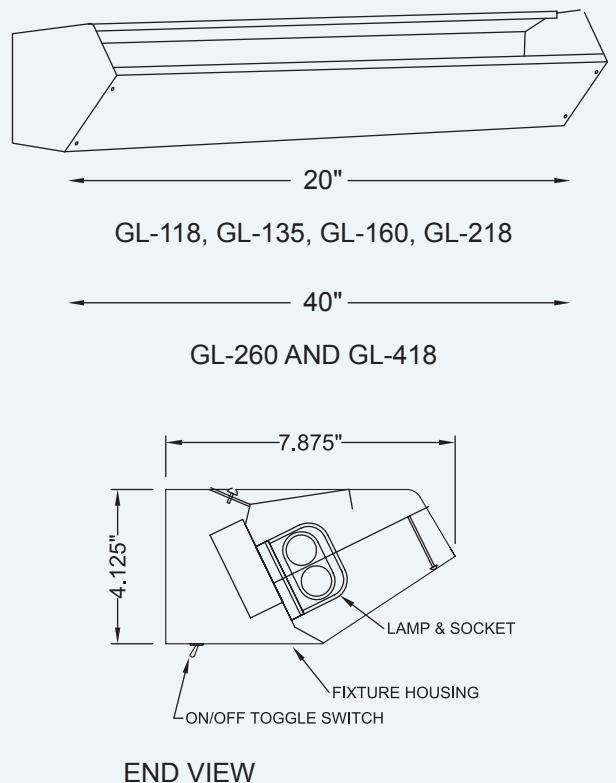
## UPPER AIR UVC FIXTURES

### Standard Specifications

<b>Lamp Specs</b>	PL-L 18W, 35W, 60W TUV (non proprietary)	
<b>Wavelength</b>	254 Nanometers	
<b>Expected Lamp/ Bulb Rated Life<sup>1</sup></b>	18 months	
<b>Lamp Socket</b>	Single Ended, 4 Pin, 2G11	
<b>Input Voltage</b>	Self Regulated Electronic UV Ballast 120V	
<b>Coverage</b>	800-1,200 sq. ft	
<b>Weight</b>	GL-118 16lbs GL-218 18lbs GL-418 20lbs	
<b>Housing Finish</b>	Stainless Steel & Aluminum	
<b>Electrical Requirement</b>	See Ordering Guide	
<b>Certifications:</b>		
	ASHRAE	meets ASHRAE TC 2.09
	EPA <sup>2</sup>	EST. NO. 91347-TN-001
	ETL	CDR100230620ATL-001A
<b>Warranty</b>	Lamps/2 years; Parts/5 years	

<sup>1</sup>With 80% utilization

<sup>2</sup>The manufacturer is registered with the US EPA. Clinical lab testing has been performed in independent labs.



*Due to continuing research, Lumalier reserves the right to change specifications without notice.*

### Ordering Guide

Model#	Mount Position	Lamp(s)	Field	Voltage	Power
GL-118-B	Wall-Mount	One 18 W, horizontal 9"	120°	0.15A@120V, 0.08A@240V	Power cord on bottom
GL-118-T	Wall-Mount	One 18 W, horizontal 9"	120°	0.15A@120V, 0.08A@240V	Power cord on top
GL-118-O	Wall-Mount	One 18 W, horizontal 9"	120°	0.15A@120V, 0.08A@240V	Open back for direct wire
GL-218-B	Wall-Mount	Two 18 W, horizontal 9"	120°	0.30A@120V, 0.15A@240V	Power cord on bottom
GL-218-T	Wall-Mount	Two 18 W, horizontal 9"	120°	0.30A@120V, 0.15A@240V	Power cord on top
GL-218-O	Wall-Mount	Two 18 W, horizontal 9"	120°	0.30A@120V, 0.15A@240V	Open back for direct wire
GL-418-B	Wall-Mount	Four 18 W, horizontal 9"	120°	0.60A@120V, 0.30A@240V	Power cord on bottom
GL-418-T	Wall-Mount	Four 18 W, horizontal 9"	120°	0.60A@120V, 0.30A@240V	Power cord on top
GL-418-O	Wall-Mount	Four 18 W, horizontal 9"	120°	0.60A@120V, 0.30A@240V	Open back for direct wire
GL-135-B	Wall-Mount	One 35 W, horizontal 9"	120°	0.30A@120V, 0.60A@240V	Power cord on bottom
GL-135-T	Wall-Mount	One 35 W, horizontal 9"	120°	0.30A@120V, 0.60A@240V	Power cord on top
GL-135-O	Wall-Mount	One 35 W, horizontal 9"	120°	0.30A@120V, 0.60A@240V	Open back for direct wire
GL-235-B	Wall-Mount	Two 35 W, horizontal 9"	120°	0.60A@120V, 0.30A@240V	Power cord on bottom
GL-235-T	Wall-Mount	Two 35 W, horizontal 9"	120°	0.60A@120V, 0.30A@240V	Power cord on top
GL-235-O	Wall-Mount	Two 35 W, horizontal 9"	120°	0.60A@120V, 0.30A@240V	Open back for direct wire
GL-160-B	Wall-Mount	One 60 W, horizontal 9"	120°	0.50A@120V, 0.25A@240V	Power cord on bottom
GL-160-T	Wall-Mount	One 60 W, horizontal 9"	120°	0.50A@120V, 0.25A@240V	Power cord on top
GL-160-O	Wall-Mount	One 60 W, horizontal 9"	120°	0.50A@120V, 0.25A@240V	Open back for direct wire
GL-260-B	Wall-Mount	Two 60 W, horizontal 9"	120°	1.00A@120V, 0.50A@240V	Power cord on bottom
GL-260-T	Wall-Mount	Two 60 W, horizontal 9"	120°	1.00A@120V, 0.50A@240V	Power cord on top
GL-260-O	Wall-Mount	Two 60 W, horizontal 9"	120°	1.00A@120V, 0.50A@240V	Open back for direct wire