



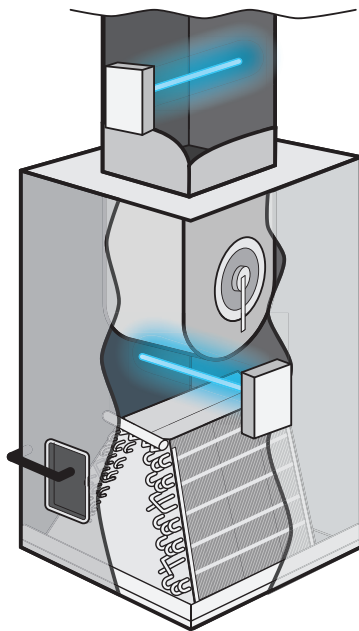
ODM Series

IN AHU AND IN DUCT UVC FIXTURES

Our ODM Series UVC Fixtures are engineered for residential and light commercial applications in split system air handlers (AHUs) and designed for outdoor use.

Models

The ODM is available in three lamp sizes (35W, 60W, 95W) to provide options for various duct sizes. All lamps are non-proprietary Philips lamps that are chill corrected down to 40 degrees Fahrenheit.



Works invisibly within existing HVAC systems to provide UVC coverage and application.



Installed at the coil plenum for optimal UVC application.



Works 24/7.



Non-proprietary components for low-cost of ownership.

ODM Series

IN AHU AND IN DUCT UVC FIXTURES

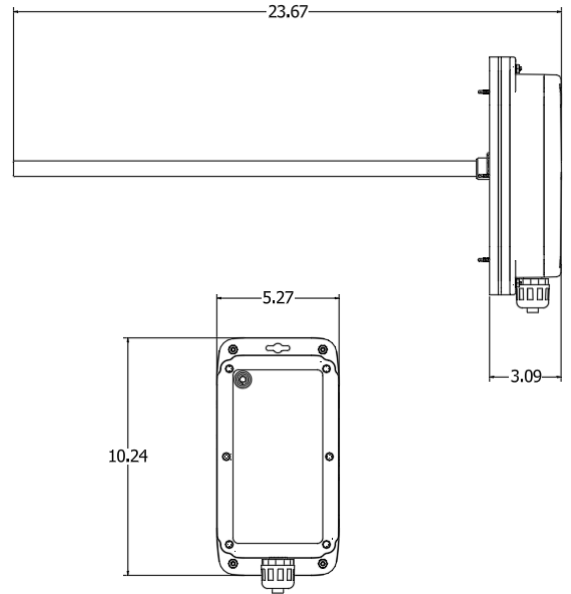
ODM UV Air Fixture Product Specifications

Standard Specifications

Lamp Specs	PL-L 35W, 60W, 95W TUV (non-proprietary)	
Wavelength	254 Nanometers*	
Expected Lamp/ Bulb Rated Life¹	18 months	
Lamp Socket	Single Ended, 4 Pin, 2G11	
Input Voltage	Self Regulated Electronic UV Ballast 120V to 250V	
Electrical Requirement	See Ordering Guide	
Housing Finish	Aluminum	
Weight	ODM 1 Light - 8 lbs.	
Certifications:	ASHRAE	meets ASHRAE TC 2.09
	EPA	EST. NO. 91347-TN-002
Warranty	Lamps/2 years; Parts/5 years	

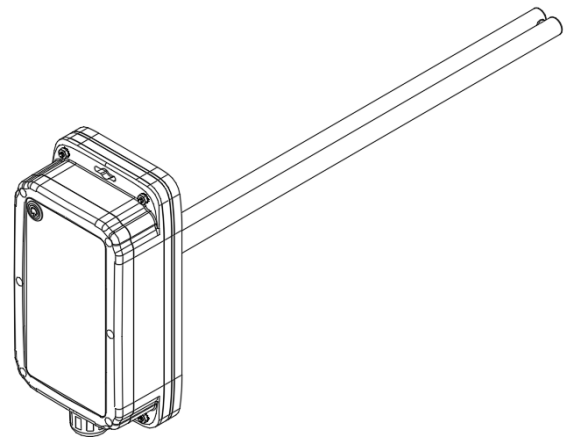
*Lumalier ODM Fixtures don't produce ozone.

¹With 80% utilization



In AHU Fixture Series Ordering Guide

Model#	Description
ODM-135	One 35W Lamp 0.3A @ 120V, 0.15A @ 240V
ODM-160	One 60W Lamp 0.50A @ 120V, 0.25A @ 240V
ODM-195	One 95W Lamp 0.80A @ 120V, 0.40A @ 240V



Due to continuing research, Lumalier reserves the right to change specifications without notice.