

WM Series

UPPER AIR UVC FIXTURES

Upper-air UVC fixtures are engineered to provide very targeted airborne pathogen reduction in high-risk areas.

The WM series fixtures are for use in areas where wall mounting is preferred and the ceiling height 9' or lower. The louvered design of this series allows for the upper-air field of UV to stay in a straight line above the heads of the occupants. Benefits include:

- Accommodates spaces with lower ceiling heights
- Provides targeted airborne pathogen reduction
- Does not produce ozone or other harmful volatile organic compounds (VOC)

Models

Model WM uses either 1 or 2 Philips PL-L 36W UV lamps. The effective coverage area for the WM-136 is 240 sq. ft., and the WM-236 is 480 sq. ft.

This unit is ideal for high-risk spaces that may have higher pathogen concentration.



Provides targeted pathogen reduction in spaces where the ceiling height is lower.



Creates repeated air disinfection within defined spaces, through natural convection-currents.



Neutralizes and eliminates the infectious airborne pathogens that cause respiratory illness and disease.

WM Series

UPPER AIR UVC FIXTURES

WM Upper Air UVC Fixture Product Specifications

Standard Specifications

Lamp Specs	PL-L 36W TUV (non proprietary)
Wavelength	254 Nanometers
Expected Lamp/Bulb Rated Life ¹	18 months
Lamp Socket	Single Ended, 4 Pin, 2G11
Input Voltage	Self Regulated Electronic UV Ballast 120V
Electrical Requirement	1.3A @ 120V to 0.56A @ 240V, 50-60Hz
Housing Finish	Stainless Steel & Aluminum
Weight	WM-136 - 16 lbs., WM-236 - 18 lbs.

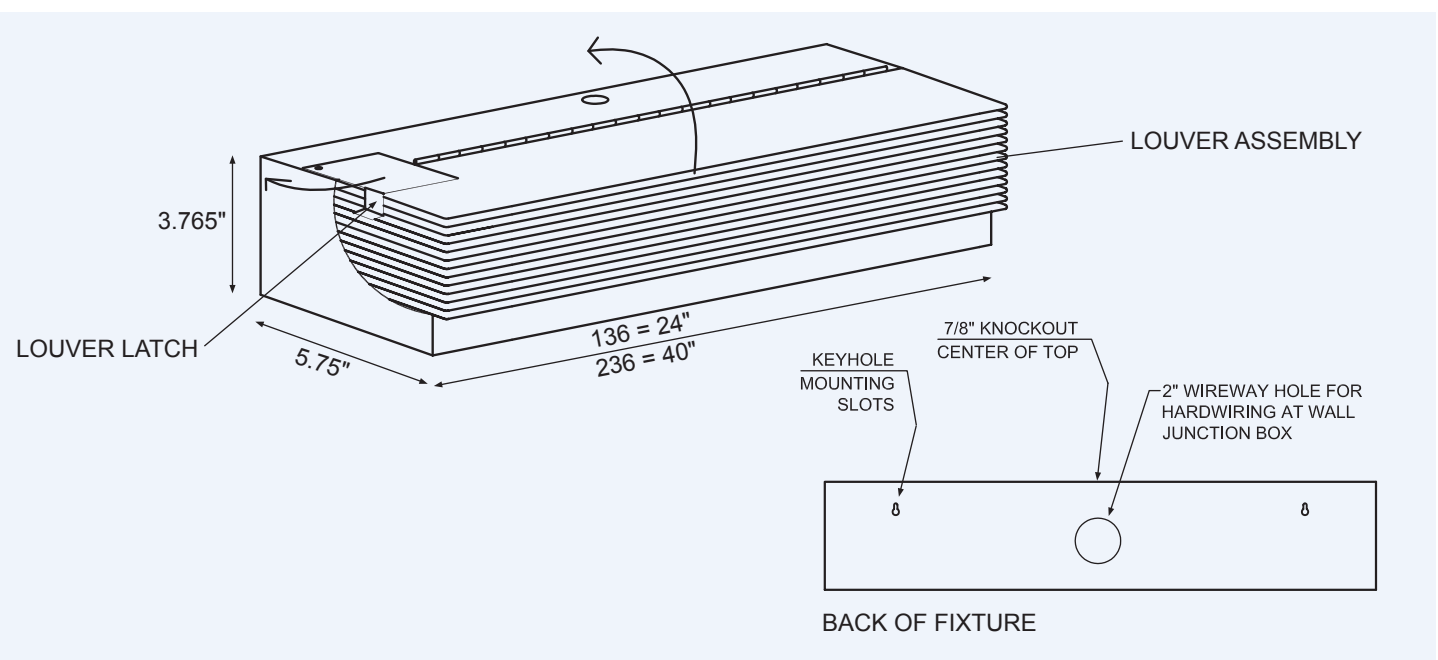
Certifications:



ASHRAE	meets ASHRAE TC 2.09
EPA ²	EST. NO. 91347-TN-001
ETL	CDR100230620ATL-001A

¹With 80% utilization
²The manufacturer is registered with the US EPA. Clinical lab testing has been performed in independent labs.

Warranty Lamps/2 years; Parts/5 years



Due to continuing research, Lumalier reserves the right to change specifications without notice.

Ordering Guide

Model#	Description
WM-136	Wall-Mount with one 36 W, horizontal-mount 16" lamp, 120° light field, 240 sq. ft.
WM-236	Wall-Mount with two 36 W, horizontal mount 16" lamps, 120° light field, 480 sq. ft.