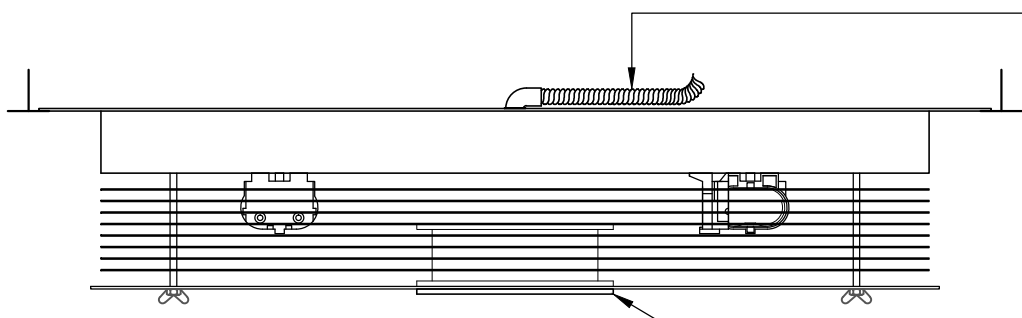
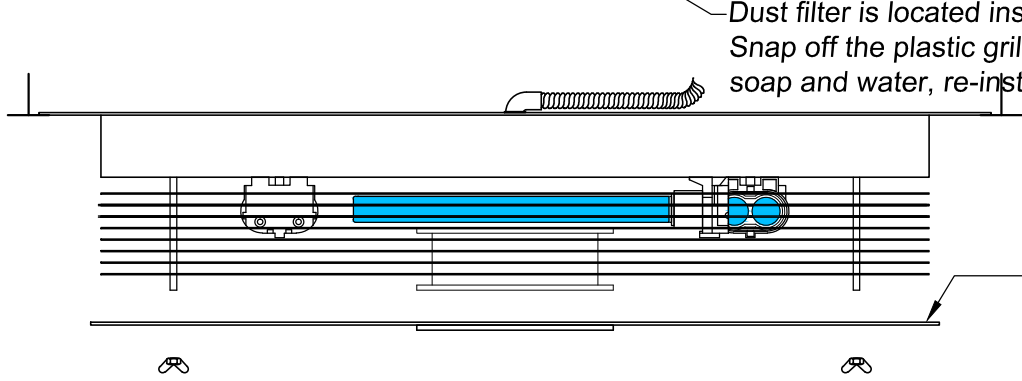


2.) Insert one edge of top plate into one side of ceiling grid T-bars.

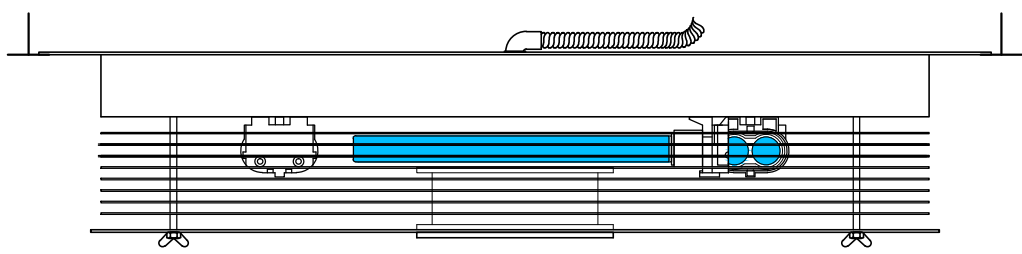
3.) Raise opposite side up & into ceiling grid. Allow fixture to rest in grid.
 1.) Tilt fixture enough to insert into suspended ceiling grid.



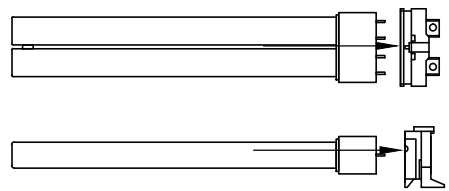
4.) With power disconnected, route conduit to nearest j-box for power. Wire color code: black=power, white=neutral, & green=ground. Make-up wiring connections as per code.



Dust filter is located inside the black grill on the cover. Snap off the plastic grill, remove filter, gently wash with soap and water, re-install filter & grill.



5.) To install lamps, remove the wing nuts on the bottom cover, lower cover gently down enough to access the lamp holders. (see below) After lamps are installed re-install bottom cover.



Carefully align lamp base inside lamp holder between the metal tabs inside the holder and aligning with pins on lamp base & the slots in the holder. Push lamp in until it snaps in place.

Fixture can now be powered & tested AFTER taking UV protective measures.
 UV protective measures

WARNING: Temporary eye damage may result from DIRECTLY viewing the light produced by these lamps. To reduce the risk of exposure to UV-radiation, take UV-radiation protective measures for personnel during servicing. WEAR EYE & SKIN PROTECTION.

2X2-435

INSTALLATION INSTRUCTIONS

Electrical Requirement: 120V/2.6A (grounded)
 Lamps: 70 nominal watts; 44 UVW



1931 Thomas Rd. Memphis, TN 38134
 901-800-1709 email@evergreenUV.com
 EPA ESTABLISHMENT NO. 91347-TN-001

