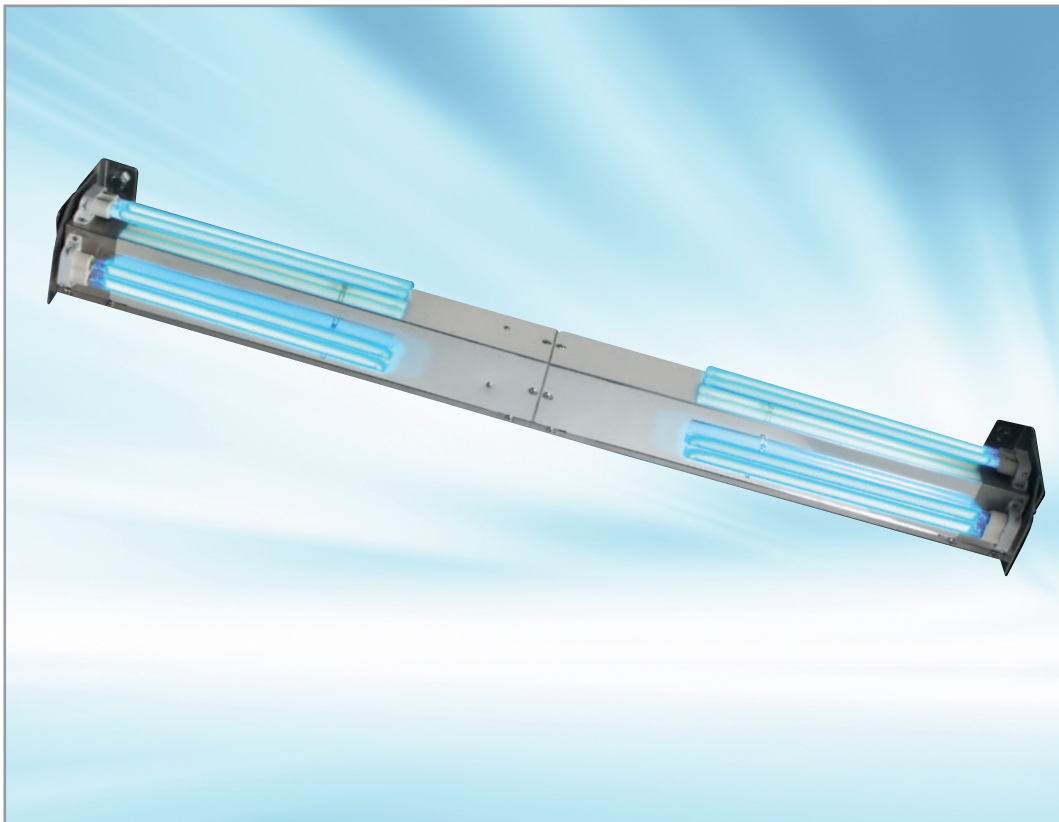




Maintenance • Service • Safety

Recommendations for Lumalier Air and Surface Disinfectant
FCU Series



www.lumalier.com

1931 Thomas Road | Memphis TN 38134 | 901-800-1709
EPA ESTABLISHMENT NO. 91347-TN-001

Revision 5/12/2023

Maintenance

Scheduled Maintenance Procedures

Quarterly – Visually inspect lamps through a viewing window to insure all lamps are operational.

Semi-Annually – If the lamps show visual dust accumulation, they should be cleaned.

To clean lamps:

- De-energize by switching the toggle switch to the “off” position.
- Remove the chrome mesh lamp guard.
- Using soft cotton gloves, remove the lamps from the UV unit.
- Using a soft cotton cloth, with isopropyl alcohol, wipe the lamps and allow to dry.
- Replace the lamps.
- Reinstall the chrome mesh lamp guard.
- Turn on the exterior toggle switch. Read warnings.
- Inspect the lamps through a viewing window to insure all lamps are energized.

Annually – Replace the lamps.

To replace lamps:

- De-energize by switching the toggle switch to the “off” position.
- Remove the chrome mesh lamp guard.
- Remove the used lamps from the UV unit.
- Wearing soft cotton gloves and using a soft cotton cloth, with isopropyl alcohol, wipe the new lamps and allow to dry.
- Install the new lamps.
- Turn on the exterior toggle switch.
- Inspect the lamps through the viewing port to insure all lamps are energized.

Service

Lumalier replacement parts and lamps can be purchased from authorized distributors.

For information call 901-800-1709.

What is UVGI?

UV-C, also known as “germicidal ultraviolet”, **has a specific wavelength of 253.7nanometers (253.7 billionths of a meter)** and is known to deactivate molds, spores and germs contained in tiny airborne droplet nuclei that transmit diseases such as measles, tuberculosis, and influenza from person to person. With significant penetrating ability, UV-C can penetrate the cell wall of a microorganism and destroy it but it cannot penetrate the outer layer of human skin or the cornea of the eye. Although overexposure may lead to a temporary, minor eye irritation or skin reddening it does not cause serious or long-term health effects.

Safety

Personal Protective Equipment

Employees must wear personal protective equipment whenever UV radiation measurements are being made close to the lamp source in order to document lamp output, or when maintenance procedures must be performed in areas where UVGI systems are activated.

Personal Protection Equipment includes:

- Safety glasses with side shields
- Head, neck and face covering opaque to UV radiation
- Soft cotton gloves
- Long-sleeved, tightly woven fabrics with SPF 15 or greater

Reporting UV Exposure

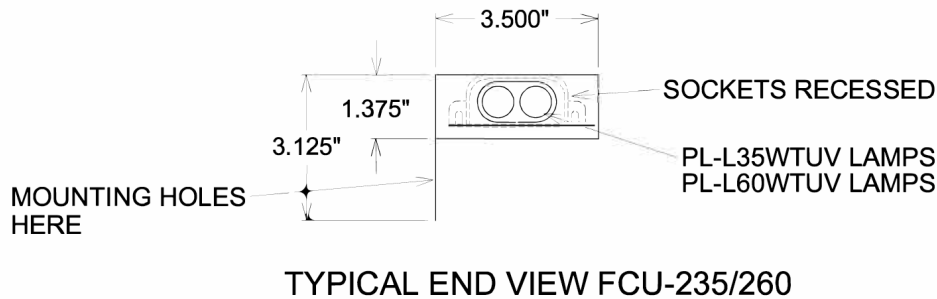
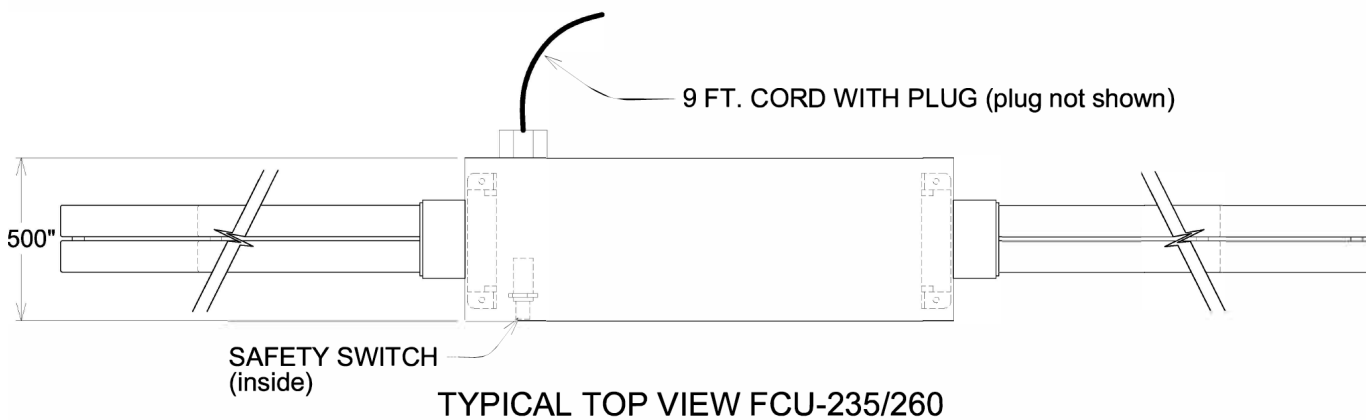
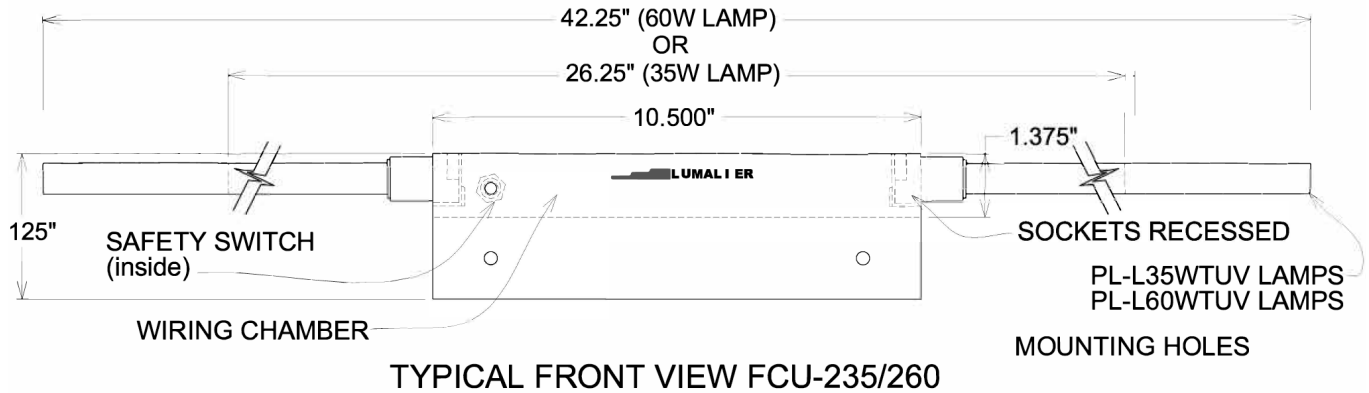
Should any temporary eye or skin irritation that develops after acute exposure to UV radiation one should contact their supervisor or physician.

Material Safety Data Sheets (MSDS)

For MSDS sheets on our lamps, please contact your local Lumalier representative.

DATA SHEET FCU-235/260

Revision 5/12/2023



CATALOG NO. **FCU-235/260**

Dimensions: 3.5"W. x 1.375"T. x 10.5"L. (42.25"L. W/ LAMPS)

Galvanized steel housing

Lamps: Available with (2) PL-L 60W TUV or (2) PL-L 35W TUV

Nominal Wattage: 70Watts (35W lamps or 120 Watts (60W lamps) or 95Watts (one of each lamp)

UV Wattage: 8.5 UV Watts (35W lamps) or 34 UV Watts (60W lamps) or 25.5W (one of each lamp)

Electrical: 120V thru 277V/ 50-60 Hz; electronic ballast.